



TECHNICAL UNIVERSITY OF MOMBASA

FACULTY OF APPLIED AND HEALTH SCIENCES

DEPARTMENT OF MATHEMATICS & PHYSICS

UNIVERSITY EXAMINATION FOR:

BACHELOR OF SCIENCE IN MEDICAL ENGINEERING

EME 4240 : COMPUTER AIDED DRAWING AND DESIGN (paper 1)

SPECIAL/SUPPLEMENTARY EXAMINATION

SERIES: SEPTEMBER 2018

TIME: 2 HOURS

: Pick Date Sep 2018

Instructions to Candidates

You should have the following for this examination

-Answer Booklet, examination pass and student ID

This paper consists of **FIVE** questions. Section A is compulsory, answer ONE question from SECTION B and ONE question from SECTION C Choose instruction

Do not write on the question paper.

SECTION A; THEORY

Question ONE

1. a) Explain any FIVE features of the AUTOCAD software. (10 marks)
- b) State any FOUR advantages of computer Aided drafting compared to manual drafting (4 marks)
- c) Explain the THREE ways of activating AUTOCAD commands. (6 marks)
- d) Explain the following AUTOCAD terminologies;
 - i. Plot
 - ii. Hatch
 - iii. Orbit
 - iv. Region
 - v. Block (10 marks)

SECTION B; (2-DIMENSIONAL DRAWING)

Question TWO

Reproduce Fig Q2 in AUTOCAD (20 marks)

Question THREE

Reproduce Fig Q3 in AUTOCAD (20 marks)

SECTION C (3-DIMENSIONAL DRAWING)

Question FOUR

Reproduce Fig Q4 in AUTOCAD (20 marks)

Question FIVE

Reproduce Fig Q5 in AUTOCAD (20 marks)

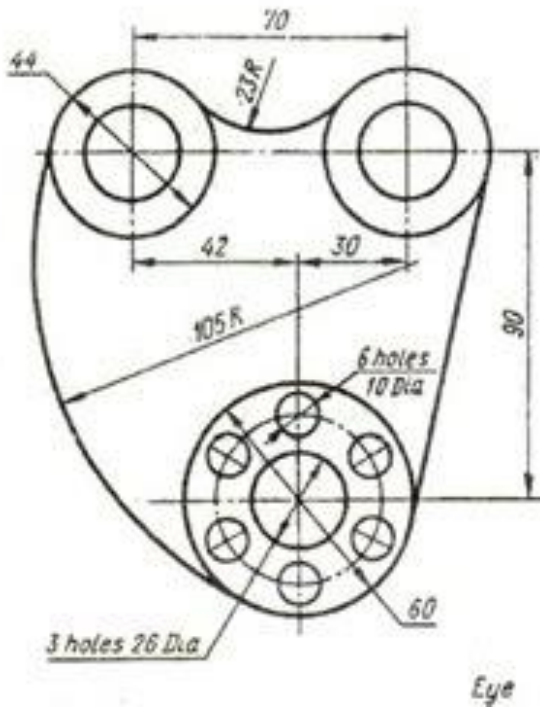


Fig Q 2

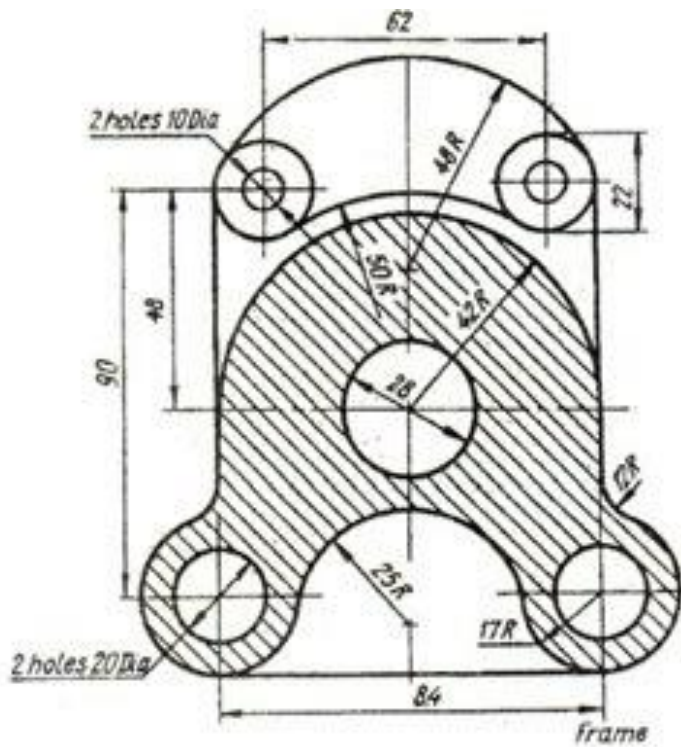


Fig Q 3

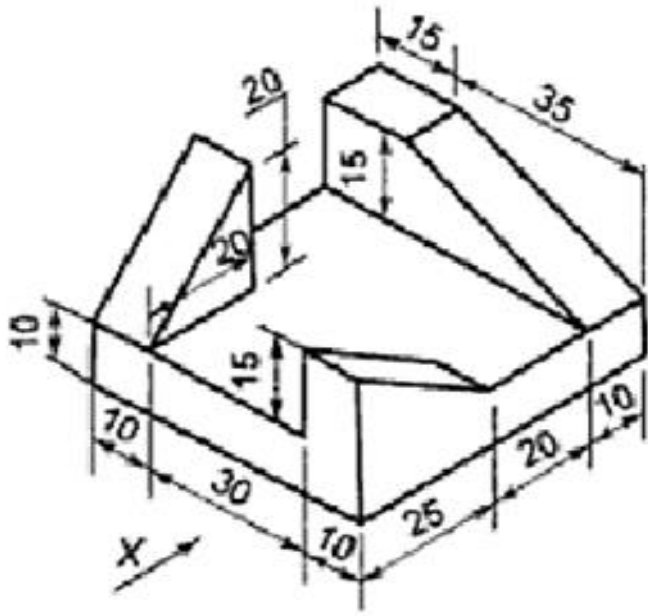


Fig Q 4

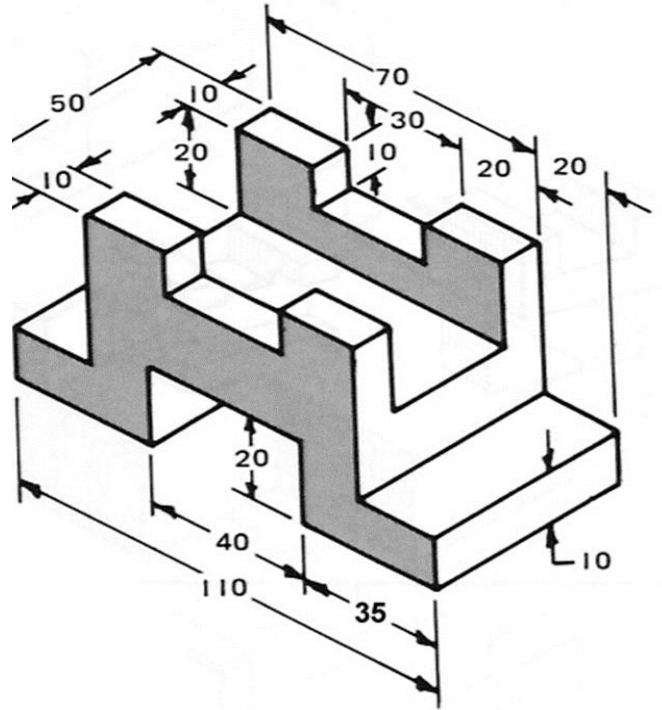


Fig Q 5