



TECHNICAL UNIVERSITY OF MOMBASA

Faculty of Engineering and Technology
Department of Electrical & Electronics engineering
UNIVERSITY EXAMINATION FOR:
Diploma in Electrical Engineering
EME 2133: Computer Aided Drawing & Design
END OF SEMESTER EXAMINATION
SERIES: AUGUST 2019
TIME: 2 HOURS

Instruction to Candidates:

You should have the following for this examination

- *Student I.D. Card & Examination Pass*
- *Non-Programmable scientific calculator*
- *Answer booklet*
- *Computer/Laptop installed with AutoCAD software*

This paper consists of **FIVE** questions. Attempt question **ONE (Compulsory)** and any other **TWO** questions.

Maximum marks for each part of a question are as shown.

Do not write on the question paper.

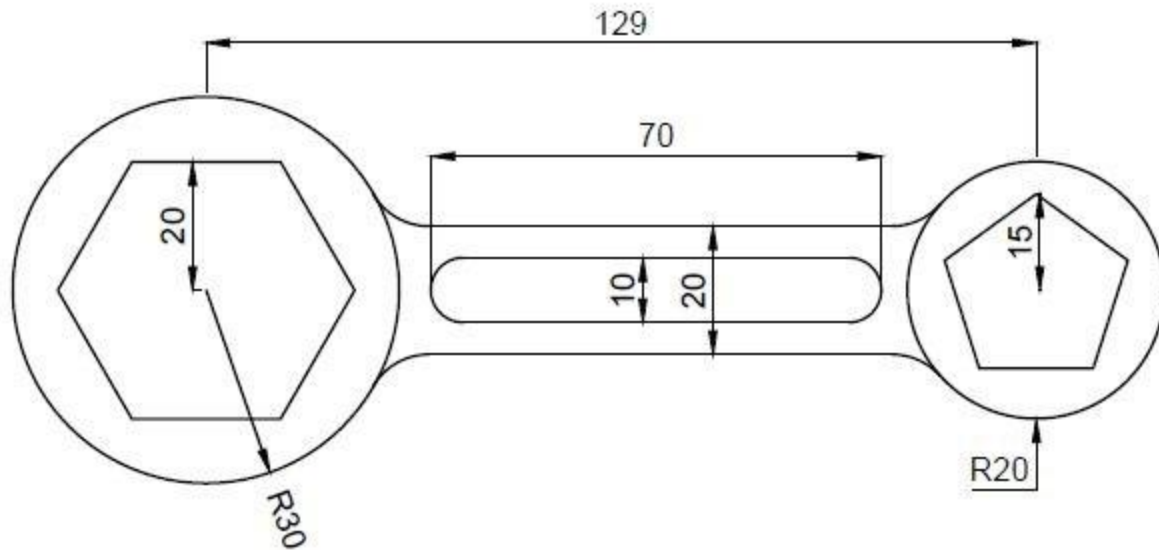
Question ONE

- a) State FIVE ways of obtaining AUTOCAD commands. (5 marks)
- b) Explain any FIVE features of the AUTOCAD software. (10 marks)
- c) State any FIVE advantages of computer Aided drafting compared to manual drafting. (5 marks)

Question TWO

Reproduce the spanner in AutoCAD

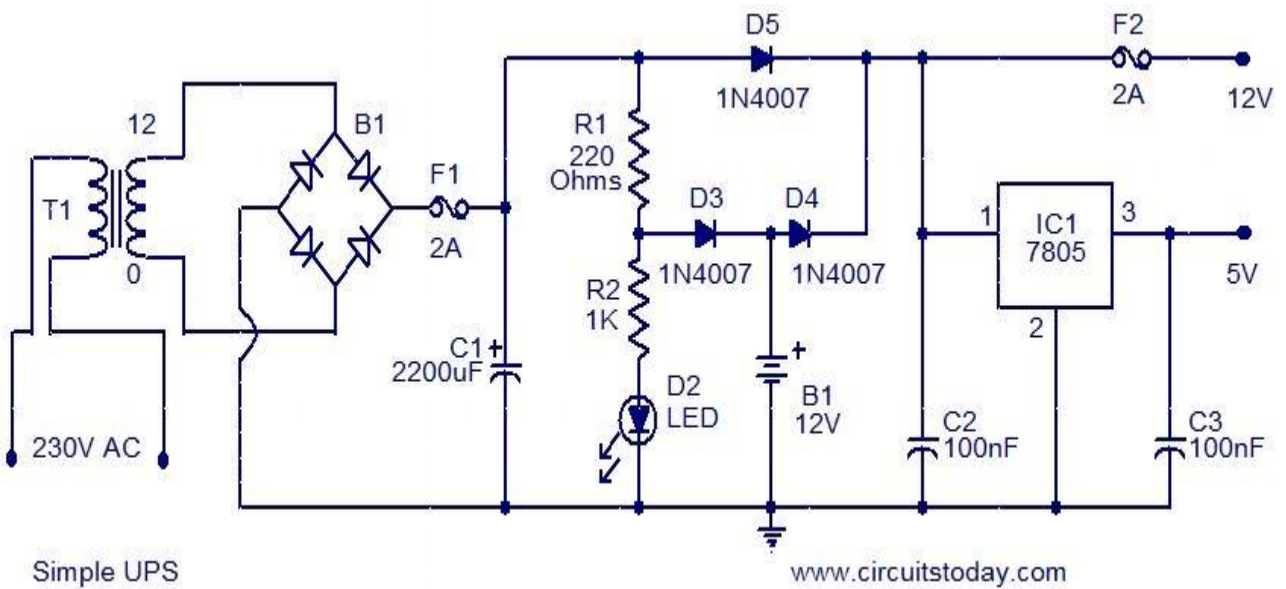
(20 marks)



Question THREE

Reproduce the simple UPS circuit in AutoCAD

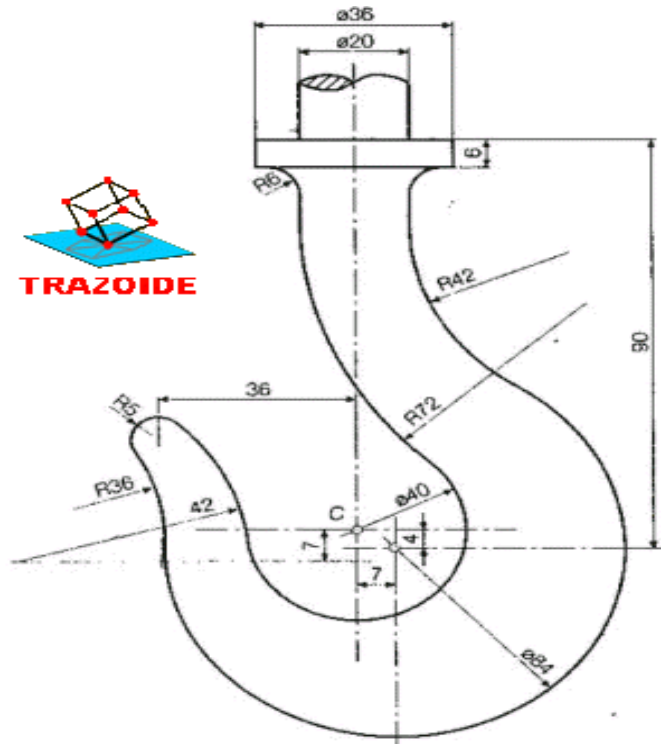
(20 marks)



Question FOUR

Reproduce the hook in AutoCAD

(20 marks)



Question FIVE

Reproduce the locating bracket AutoCAD

(20 marks)

