



TECHNICAL UNIVERSITY OF MOMBASA

Faculty of Engineering and Technology
Department of Electrical & Electronics engineering
UNIVERSITY EXAMINATION FOR:
Certificate in Electrical & Electronics Engineering
EME 1101 : Engineering Drawing I
SPECIAL/ SUPPLEMENTARY EXAMINATION
SERIES: AUGUST 2019
TIME: 2 HOURS
DATE: Pick Date Aug 2019

Instruction to Candidates:

You should have the following for this examination

- *Student I.D. Card & Examination Pass*
- *Answer booklet*
- *Non-Programmable scientific calculator*

This paper consists of **FIVE** questions. Attempt question **ONE** and any other **TWO** questions.

Maximum marks for each part of a question are as shown.

Do not write on the question paper.

Question ONE

Figure 1 shows a Mild Steel Bracket. Draw full size in 3rd angle projection: **(30 marks)**

- Front Elevation in the direction of arrow A
- End Elevation
- Plan

Question TWO

- Draw a perpendicular line at the end of a straight line AB 80 mm long. **(2 marks)**
- Inscribe a circle within a triangle of sides 60 mm, 70 mm, and 50 mm. **(3 marks)**
- Circumscribe a circle to a given triangle of sides 60 mm, 80 mm, and 70 mm. **(3 marks)**
- Use drawing Instruments to Construct a Heptagon and a Nonagon using two kinds of methods. **(12 marks)**

Question THREE

Figure 2 shows two views of a block in 3rd angle projection. Draw full size the Isometric View of the block. **(20 marks)**

Question FOUR

- a) Draw line AB 100 mm and divide it into seven equal parts. **(10 marks)**
- b) **Figure 3** shows the Front view and Plan of a square pyramid. Draw: **(10 marks)**
 - i. End view in the direction of arrow F
 - ii. The sectioned plan

Question FIVE

Draw free hand, pictorial Isometric sketches of any two of the following Items:

- a) Three Pin Top Plug
- b) Side Cutter
- c) Long nose pliers

(20 marks)

FIGURES

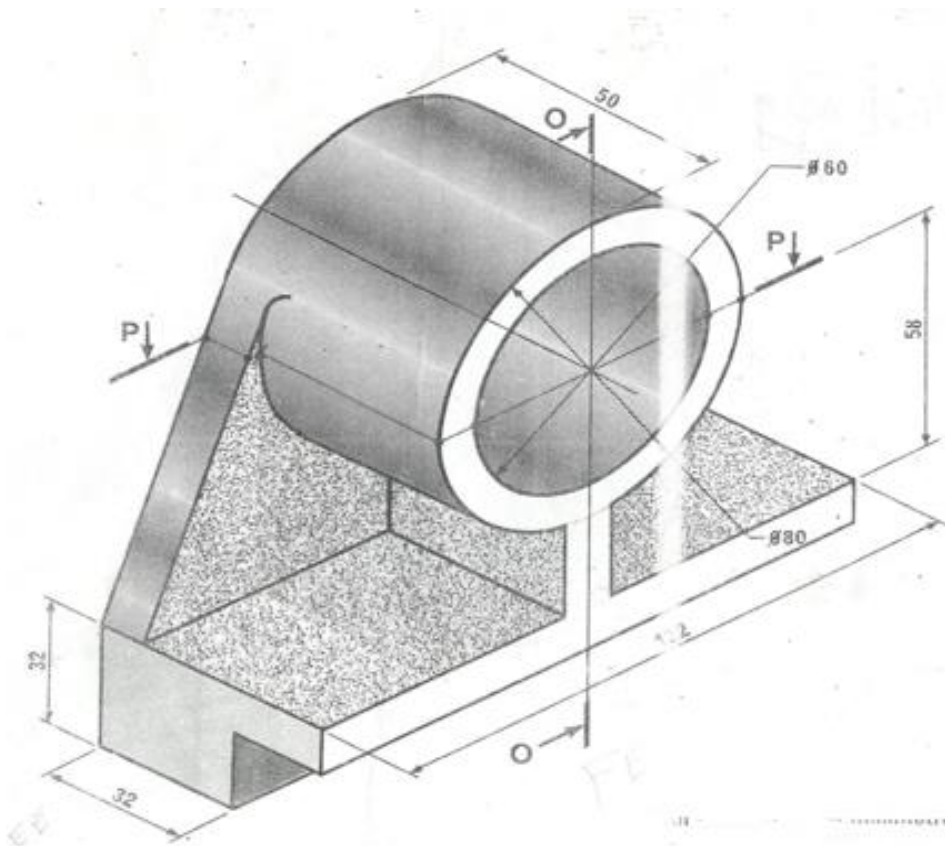


Figure 1

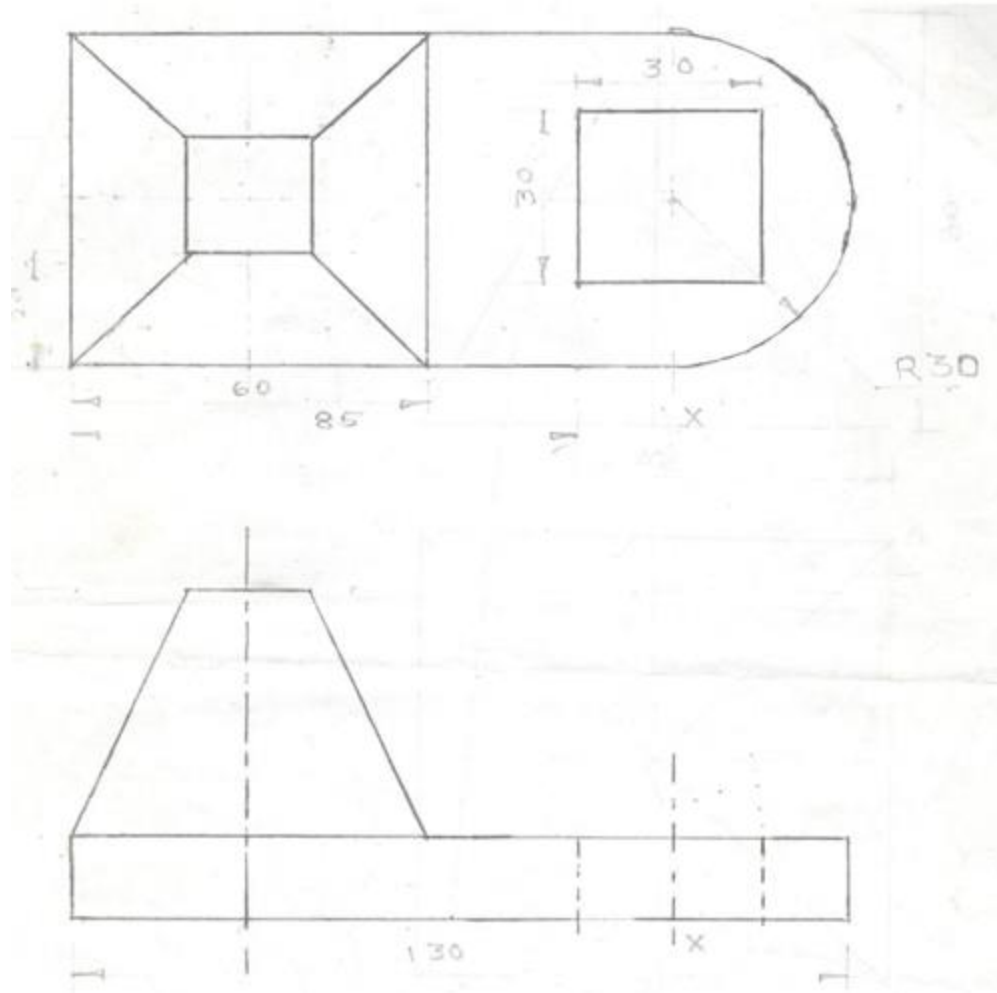


Figure 2

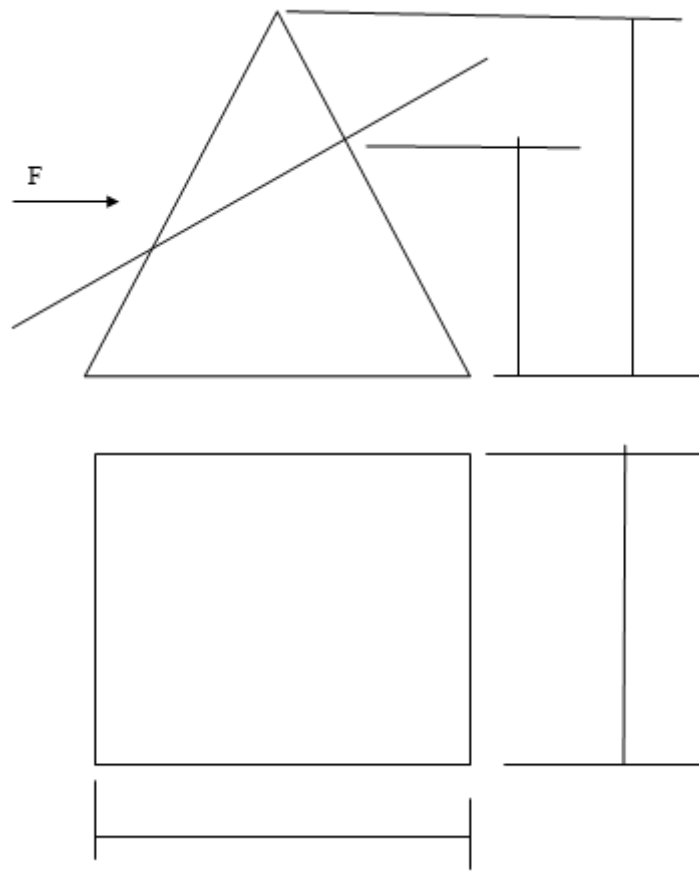


Figure 3