



# TECHNICAL UNIVERSITY OF MOMBASA

---

FACULTY OF ENGINEERING AND TECHNOLOGY

DEPARTMENT OF MECHANICAL & AUTOMOTIVE ENGINEERING

**UNIVERSITY EXAMINATION FOR:**

**BACHELOR OF SCIENCE IN MECHANICAL & AUTOMOTIVE  
ENGINEERING**

**EMG 2204 : COMPUTER AIDED DRAWING (PAPER 1)**

**END OF SEMESTER EXAMINATION**

**SERIES: DECEMBER 2016**

**TIME: 2 HOURS**

**DATE:** Pick Date Dec 2016

**Instructions to Candidates**

You should have the following for this examination

*-Answer Booklet, examination pass and student ID*

This paper consists of **FIVE** questions. Attempt question ONE (Compulsory) and any other TWO questions. (Pick one Question from Section B and one Question from Section C)

**Do not write on the question paper.**

---

**SECTION A (2-D Drafting)**

**Question ONE**

Construct and dimension the drawing of Figure 1.

(20 marks)

**SECTION B (Isometric Drawing)**

**Question TWO**

Reproduce Figure 2 in AutoCAD, dimension appropriately.

(20 marks)

**Question THREE**

Reproduce Figure 3 in AutoCAD, dimension appropriately.

(20 marks)

**SECTION C (3-D Modeling)**

**Question FOUR**

Reproduce Figure 4 in AutoCAD, do not dimension.

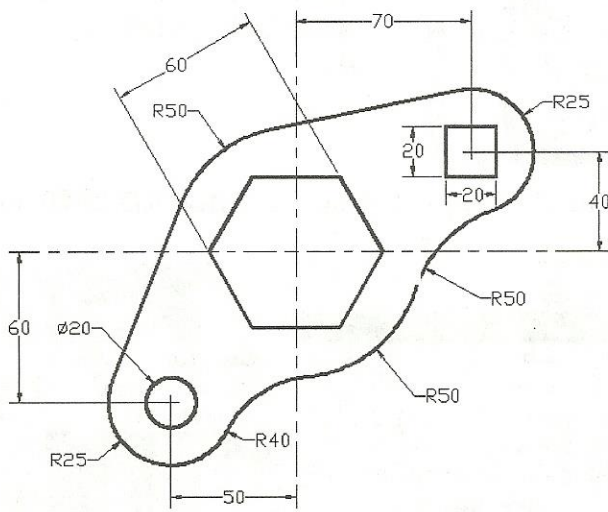
(20 marks)

**Question FIVE**

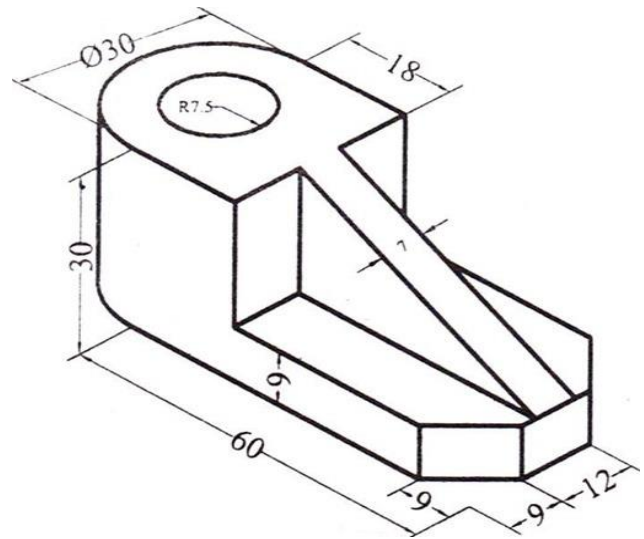
Reproduce Figure 5 in AutoCAD, do not dimension.

(20 marks)

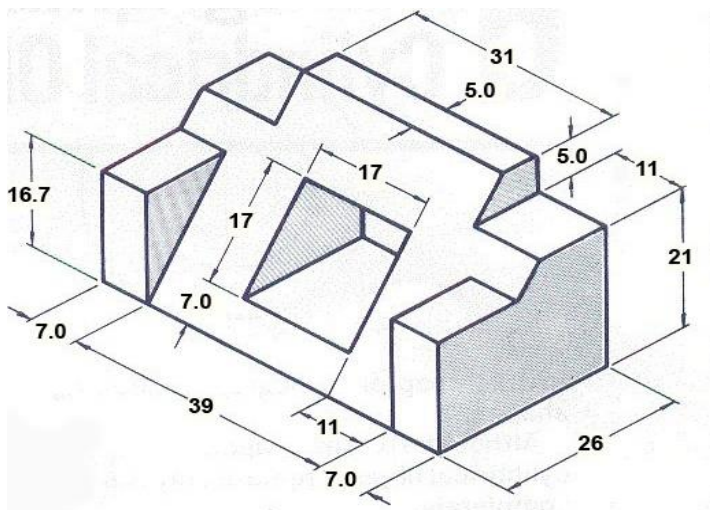
**FIGURES:**



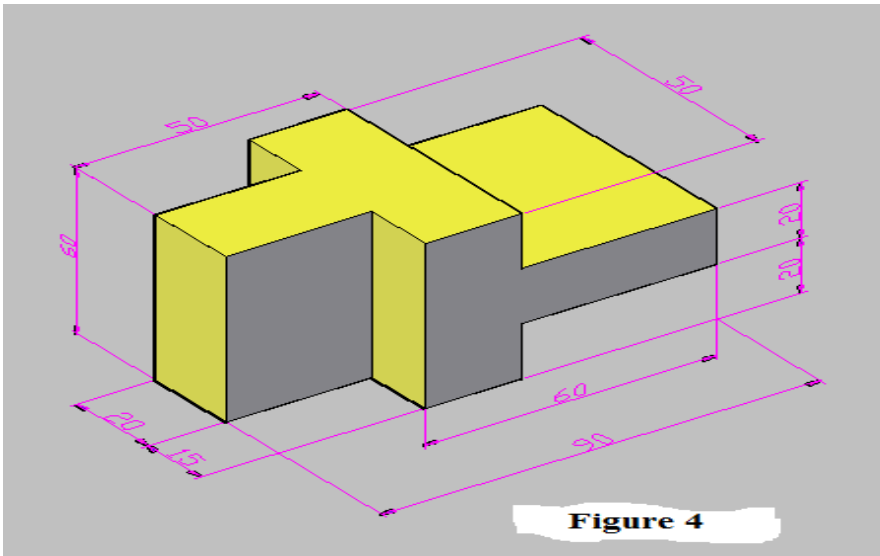
**Figure 1**



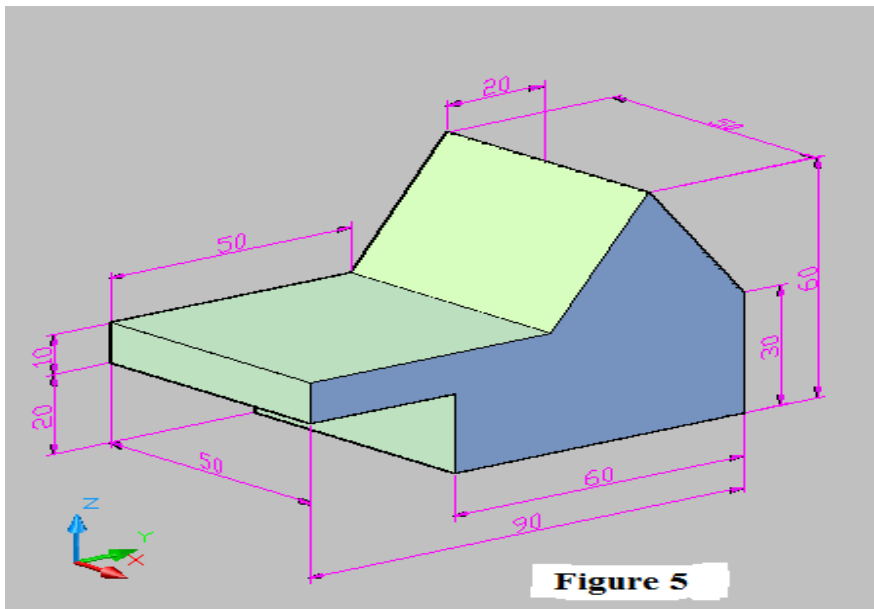
**Figure 2**



**Figure 3**



**Figure 4**



**Figure 5**