



# TECHNICAL UNIVERSITY OF MOMBASA

---

FACULTY OF ENGINEERING AND TECHNOLOGY

DEPARTMENT OF BUILDING & CIVIL ENGINEERING

**UNIVERSITY EXAMINATION FOR:**

DIPLOMA

EBC 2305 : MEASUREMENT OF BUILDING WORKS

END OF SEMESTER EXAMINATION

**SERIES:** APRIL 2016

**TIME:** 2 HOURS

**DATE:** Pick Date Apr 2016

## Instructions to Candidates

You should have the following for this examination

-Answer Booklet, examination pass and student ID

This paper consists of **FIVE** questions. Attempt any **THREE** questions.

**Do not write on the question paper.**

---

## Question ONE

Take off all quantities for the panel door shown in drawing no 01 including adjustments. **(20marks)**

## Question TWO

Take off all quantities for the pitched roof shown in drawing no 02 including all rainwater goods. **(20marks)**

## Question THREE

Take off all quantities for the substructure works shown in drawing no 03 including. **(20marks)**

#### **Question FOUR**

a) Briefly describe the following types of contracts.

- i) Lump sum contracts
- ii) Cost plus fixed fee contracts
- iii) Cost plus variable fee contracts
- iv) Package deal contracts

**(12marks)**

b) Describe the following process of bill preparation

- i) Taking off
- ii) Squaring
- iii) Abstracting
- iv) Billing

**(8marks)**

#### **Question FIVE**

a) Give two examples of provisional sums and two examples of prime cost sums showing how they are entered in a dimension paper. **(8marks)**

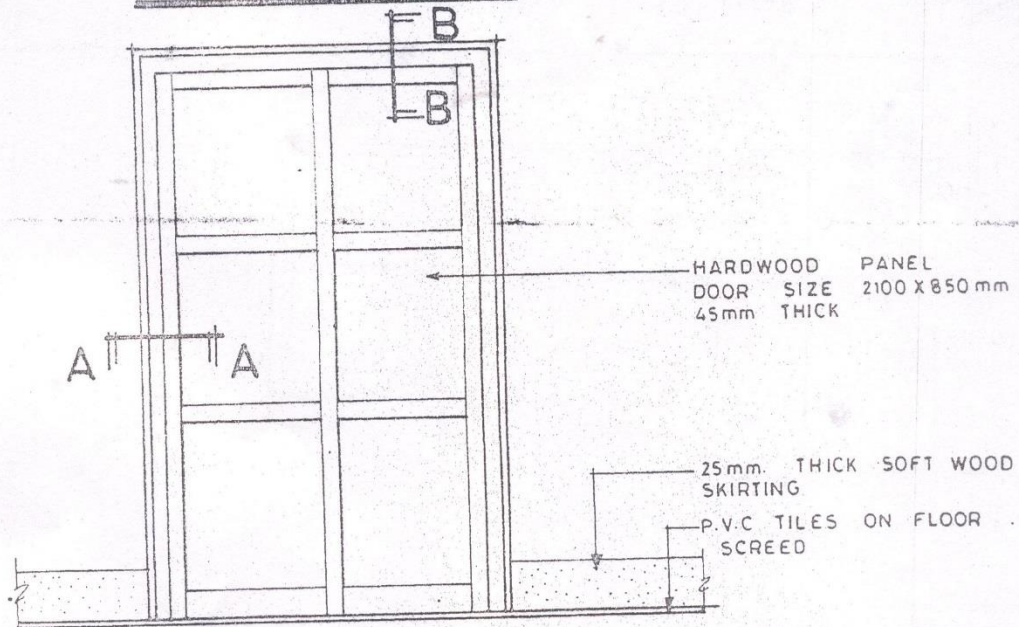
b) Explain negotiated contract as a method of procurement of a tender. **(4marks)**

c) Describe the following contract documents

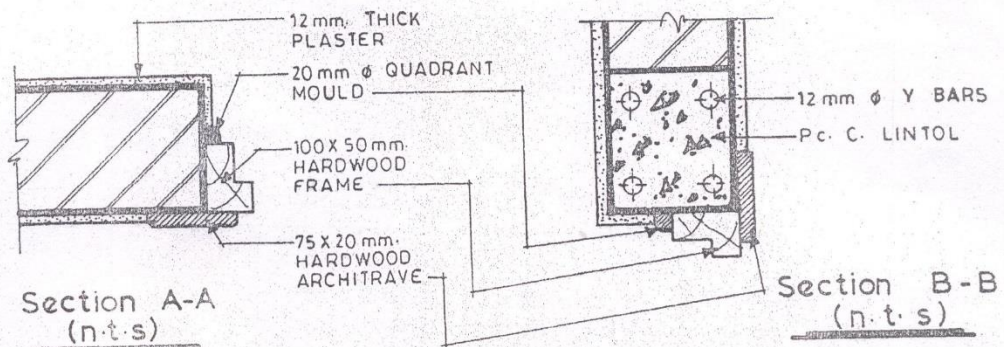
- i) Specifications
- ii) Tender form
- iii) Contract drawings

**(8marks)**

12-NR: PANEL DOORS



Internal elevation (n.t.s)

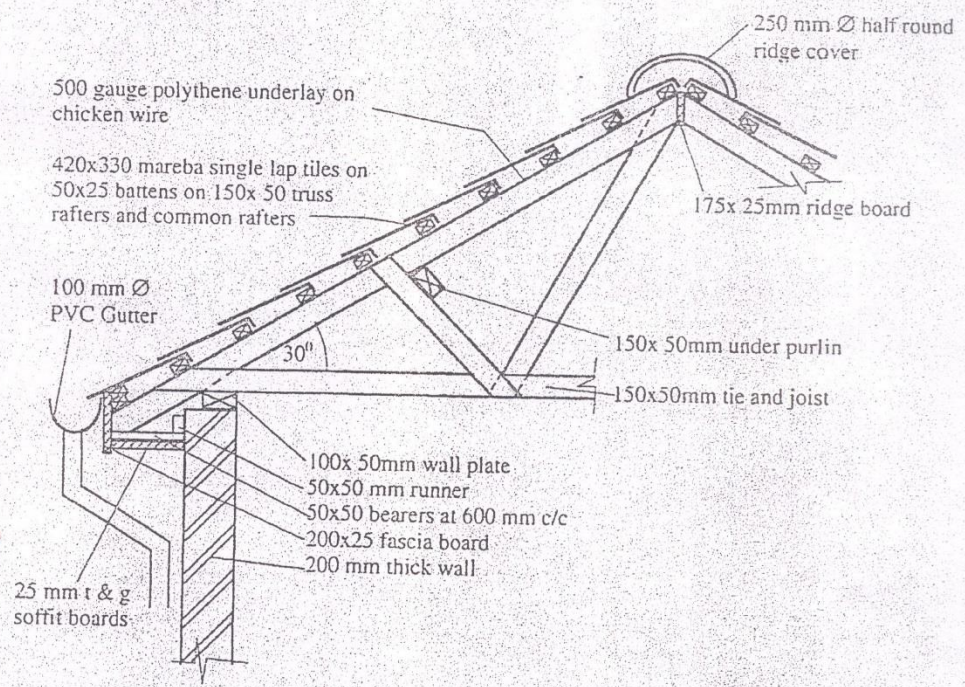
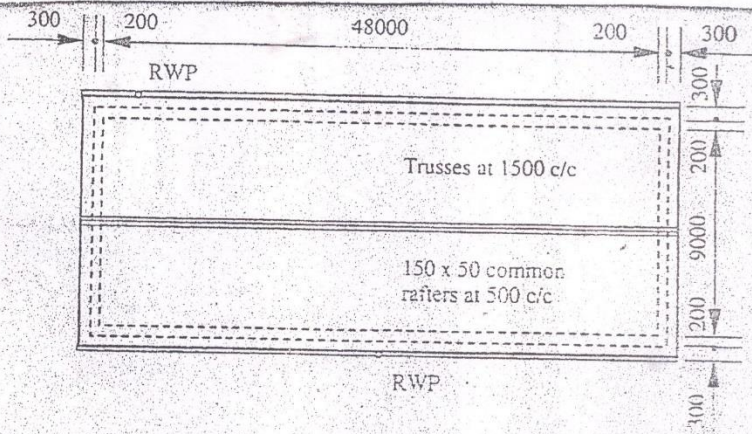


IRONMONGERY

- Union mortice lock
- Brass hinges 100mm. long
- Brass coat hanger
- 25mm high rubber door stop
- Automatic door closer

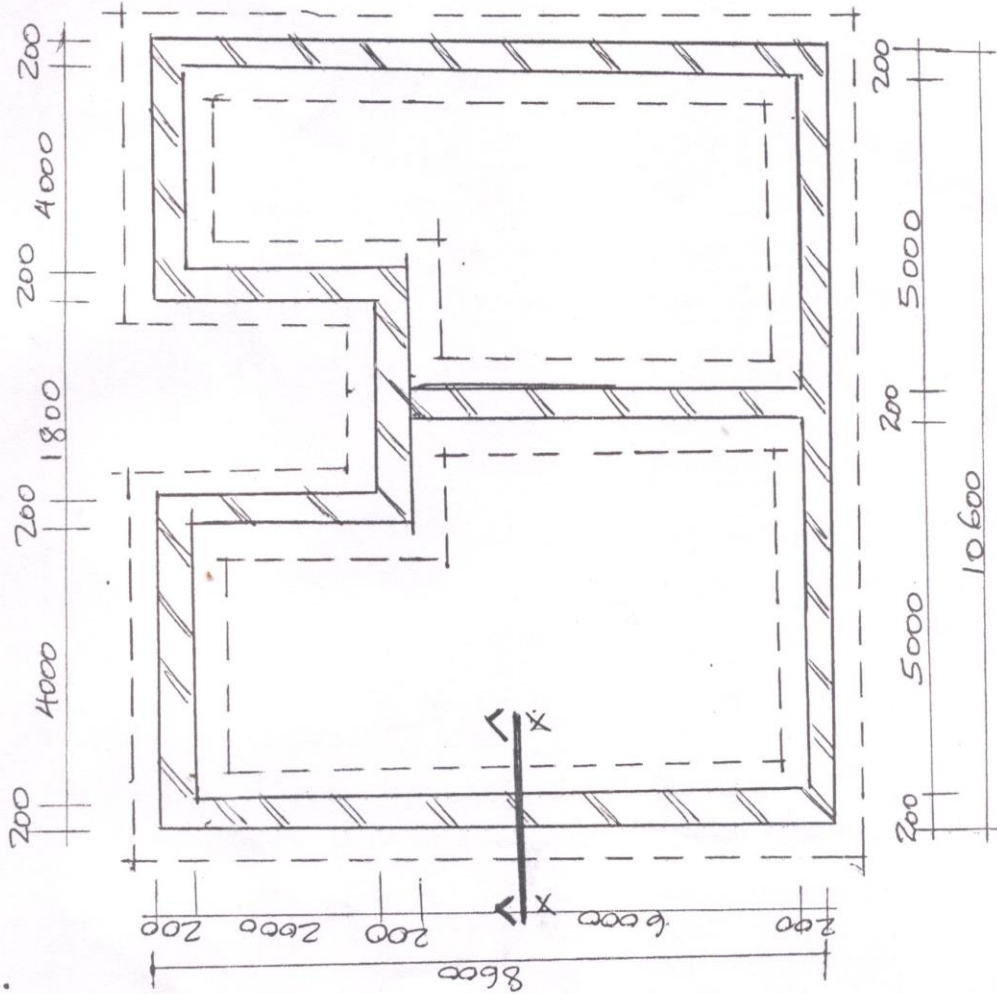
DRGNO 02



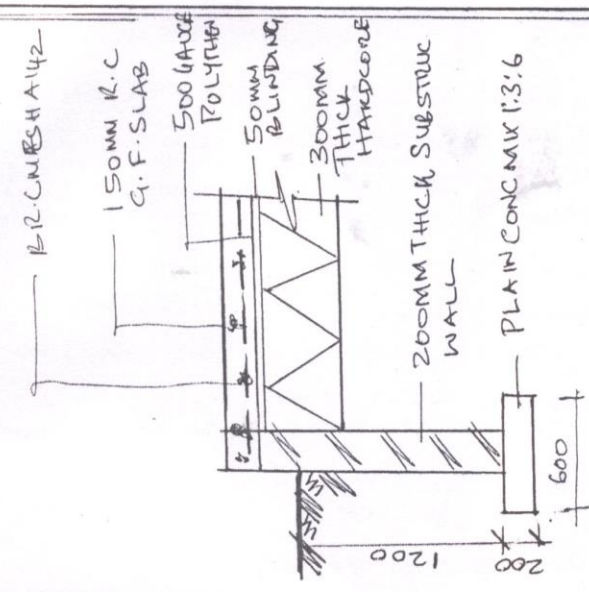


SECTION SHOWING ROOF DETAILS  
DRAWING N<sup>o</sup>. 012





PLAN.



SECTION X-X

DRG NO 03