



# TECHNICAL UNIVERSITY OF MOMBASA

INSTITUTE OF COMPUTING AND INFORMATICS

DEPARTMENT OF COMPUTER SCIENCE & INFORMATION TECHNOLOGY

**UNIVERSITY EXAMINATION FOR:**

**BSIT SEP 2015 J-FT /Y1S2**

**BIT 2111: COMPUTER AIDED ART AND DESIGN**

**END OF SEMESTER EXAMINATION**

**SERIES: APRIL 2016**

**TIME: 2 HOURS**

**DATE:** Pick Date Select Month Pick Year

## Instructions to Candidates

You should have the following for this examination

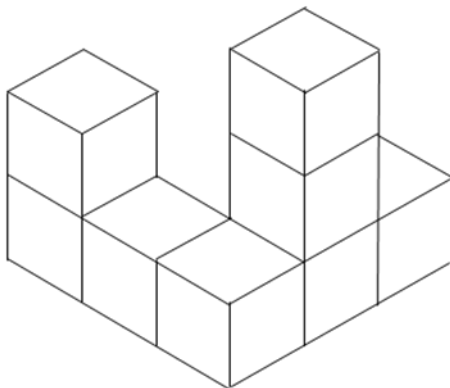
-Answer Booklet, examination pass and student ID

This paper consists of **FIVE** questions. Attempt question ONE (Compulsory) and any other TWO questions.

**Do not write on the question paper.**

## **Question ONE (30 marks)**

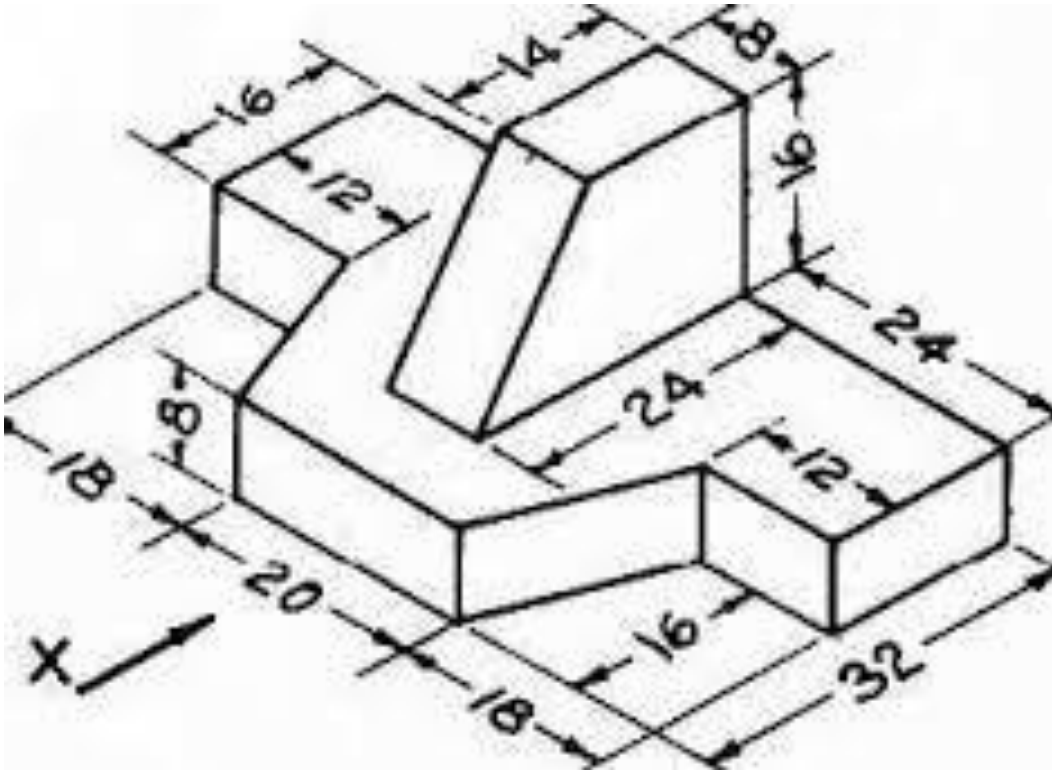
- a) Define the following terms:
- i). Vertex (1 mark)
  - ii). CAD (1 mark)
  - iii). Edge. (1 mark)
- b) State two common graphic file format (2 marks)
- c) Sketch the plan, front elevation and side elevation of the following object. (3 marks)



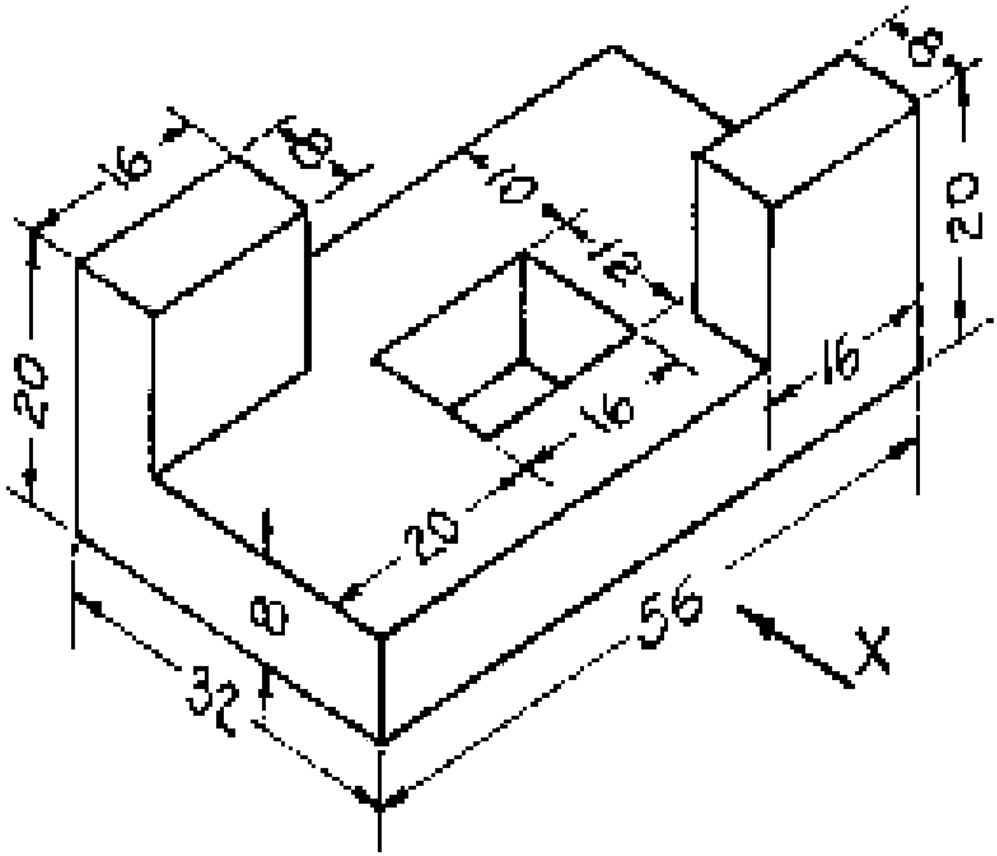
- d) Describe three basic methods for creating surfaces in CAD. (3 marks)
- e) Describe line output primitive, stating two properties of an ideal line. (3 marks)
- f) Using suitable illustration, outline the two types of arrays in CAD drawing. (2 marks)
- g) List four reasons for using CAD (4 marks)
- h) Distinguish between snap and grid. (2 marks)
- i) Distinguish between absolute coordinate system and relative coordinates (2 marks)
- j) Outline three advantages of Computer Aided Art and Design as compared to Manual systems. (3 marks)
- k) Describe three features of CAD. (3 marks)

**SECTION B (Select ONE question only)**

**Question TWO (20 marks)**

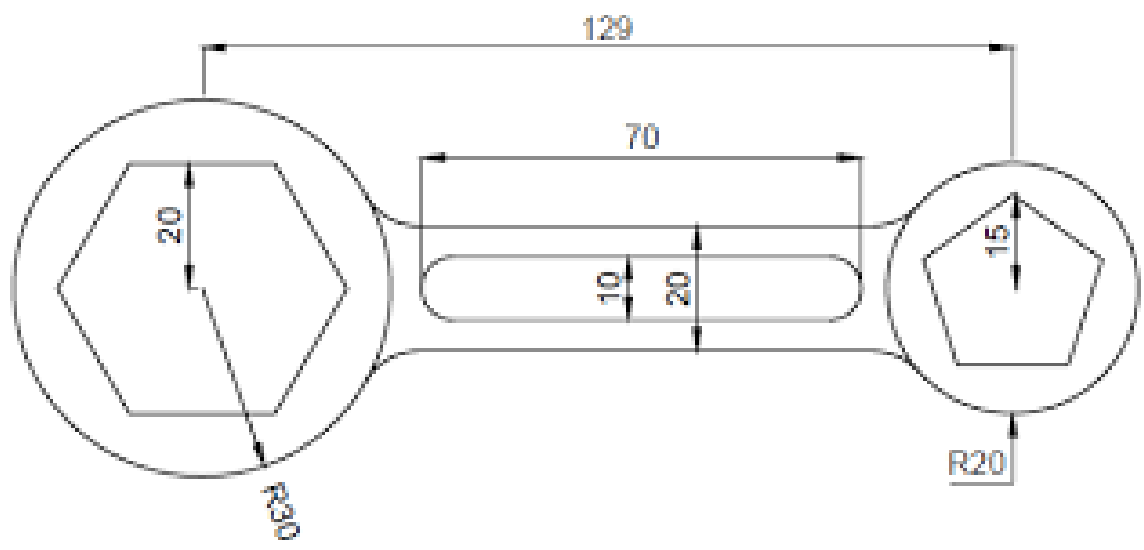


Question THREE (20 marks)



SECTION C (Select ONE question only)

Question FOUR (20 marks)



Question FIVE (20 marks)

