



TECHNICAL UNIVERSITY OF MOMBASA

INSTITUTE OF COMPUTING AND INFORMATICS

DEPARTMENT OF COMPUTER SCIENCE & INFORMATION TECHNOLOGY

UNIVERSITY EXAMINATION FOR:

BSIT SEP 2015 J-FT /Y1S2

BIT 2111: COMPUTER AIDED ART AND DESIGN

END OF SEMESTER EXAMINATION

SERIES: APRIL 2016

TIME: 2 HOURS

DATE: Pick Date Select Month Pick Year

Instructions to Candidates

You should have the following for this examination

-Answer Booklet, examination pass and student ID

This paper consists of **FIVE** questions. Attempt question ONE (Compulsory) and any other TWO questions.

Do not write on the question paper.

Question ONE (30 marks)

a) Define each of the following co-ordinates:

i) Absolute co-ordinates

ii) Relative co-ordinates

iii) Polar co-ordinates

iv) User coordinate system (UCS)

(4 marks)

b) One way of drawing a circle is using centre and radius. Outline two other ways of drawing a circle. (2 marks)

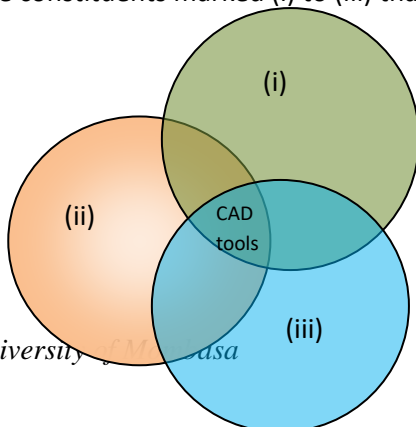
c) List at least two objects found in each of the following toolbars:

i) Draw toolbar

ii) Edit toolbar

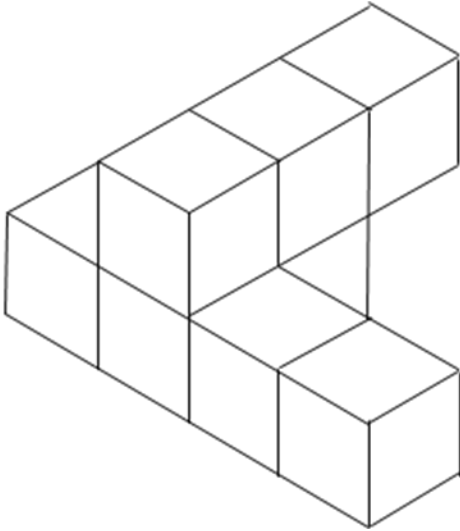
(4 marks)

d) List the three constituents marked (i) to (iii) that make up the CAD tools as shown below:



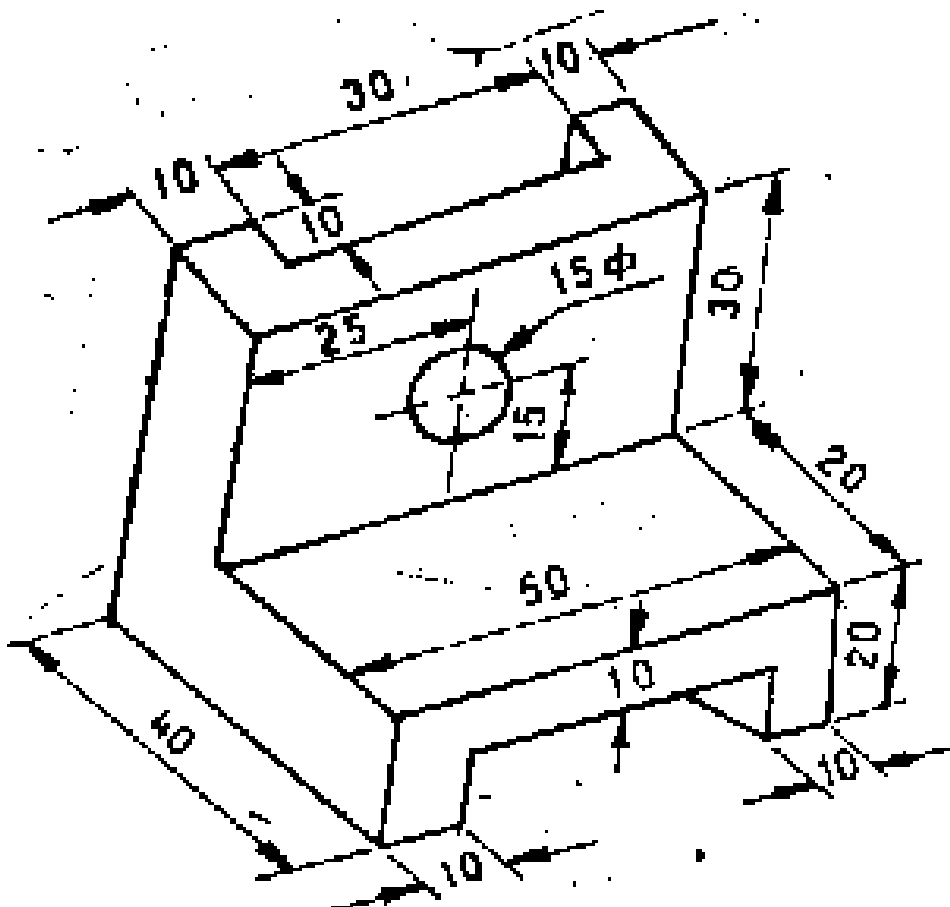
(3 marks)

- e) Outline three major reasons why CAD is popular (3 marks)
- f) A line is one of the various output primitives. Describe three other output primitives, outlining at least two of their attributes in each case. (6 marks)
- g) Describe two types of screen, listing one advantage and disadvantage of each. (4 marks)
- h) Sketch the plan and the side elevation of the following object. (4 marks)

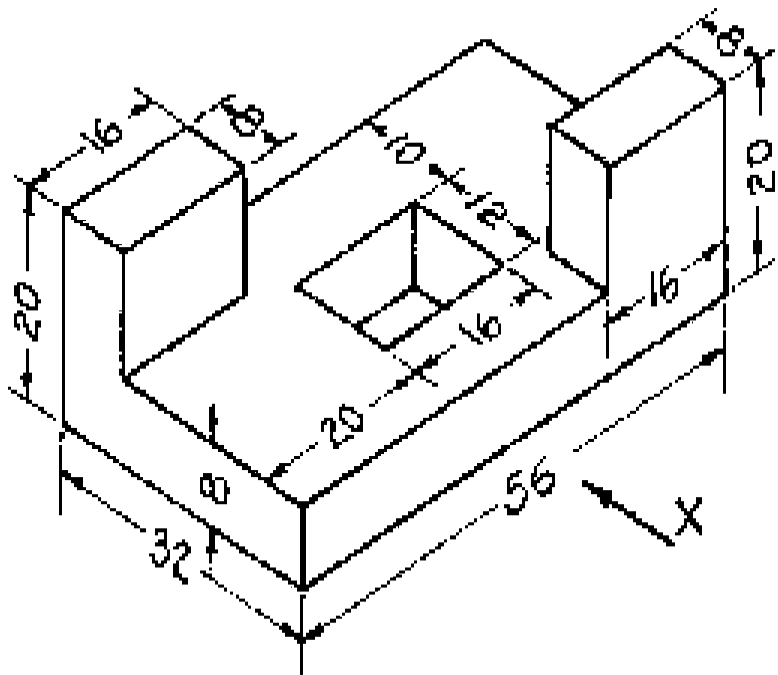


SECTION B (Select ONE question only)

Question TWO (20 marks)

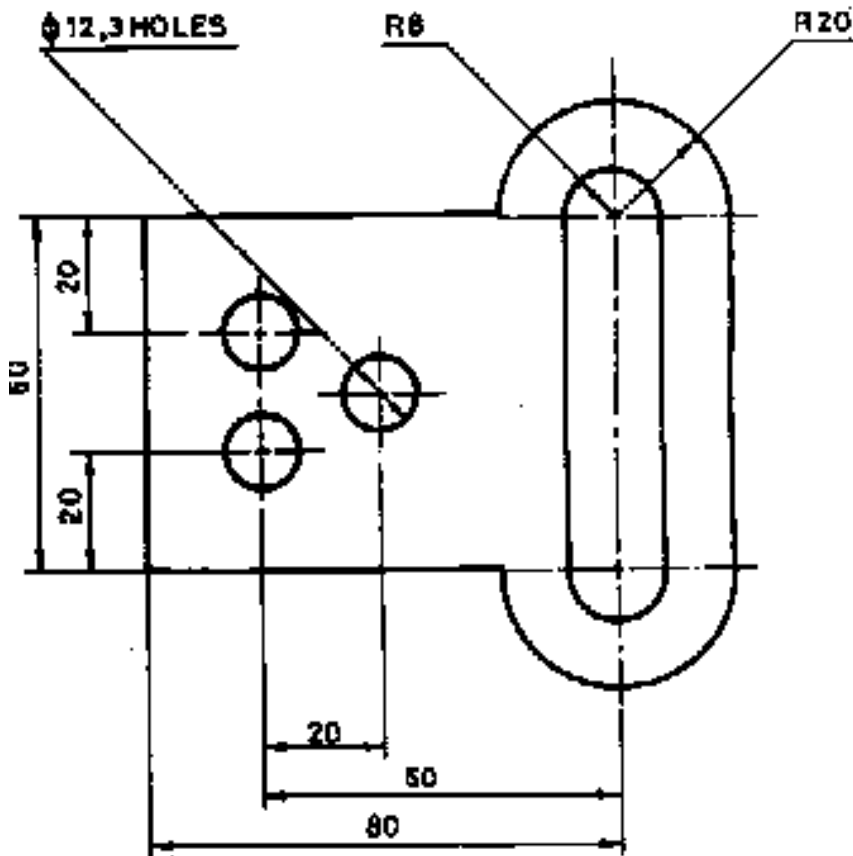


Question THREE (20 marks)



SECTION C (Select ONE question only)

Question FOUR (20 marks)



Question FIVE (20 marks)

