



TECHNICAL UNIVERSITY OF MOMBASA

FACULTY OF ENGINEERING AND TECHNOLOGY

DEPARTMENT OF ELECTRICAL & ELECTRONICS ENGINEERING

UNIVERSITY EXAMINATION FOR:

DIPLOMA IN ELECTRICAL ENGINEERING

EME 2133 : COMPUTER AIDED DRAWING AND DESIGN (paper 1)

END OF SEMESTER EXAMINATION

SERIES: APRIL 2016

TIME: 2 HOURS

DATE: Pick Date Select Month Pick Year

Instructions to Candidates

You should have the following for this examination

-Answer Booklet, examination pass and student ID

This paper consists of **FIVE** questions. Section A is compulsory, answer ONE question from SECTION B and ONE question from SECTION C Choose instruction

Do not write on the question paper.

SECTION A; THEORY

Question ONE

1. a) State any FOUR advantages of computer Aided drafting compared to manual drafting (4 marks)
b) Explain any FIVE features of the AUTOCAD software. (10 marks)
c) Explain the THREE ways of activating AUTOCAD commands. (6 marks)

SECTION B; (2-DIMENSIONAL DRAWING)

Question TWO

Reproduce Fig Q2 in AUTOCAD

(20 marks)

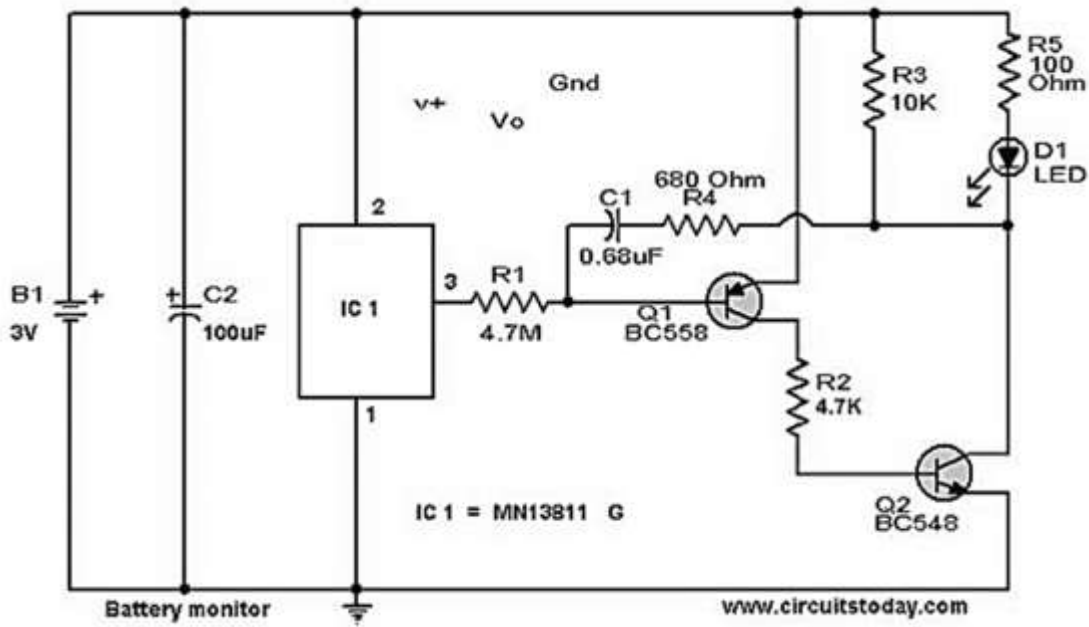


Fig Q 2

Question THREE

Reproduce Fig Q3 in AUTOCAD

(20 marks)

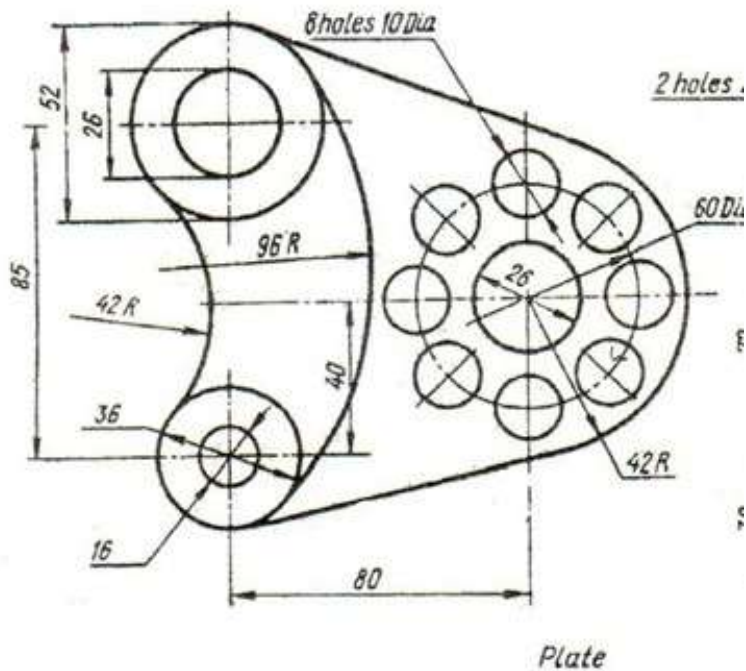


Fig Q 3

SECTION C (3-DIMENSIONAL DRAWING)

Question FOUR

Reproduce Fig Q3 in AUTOCAD

(20 marks)

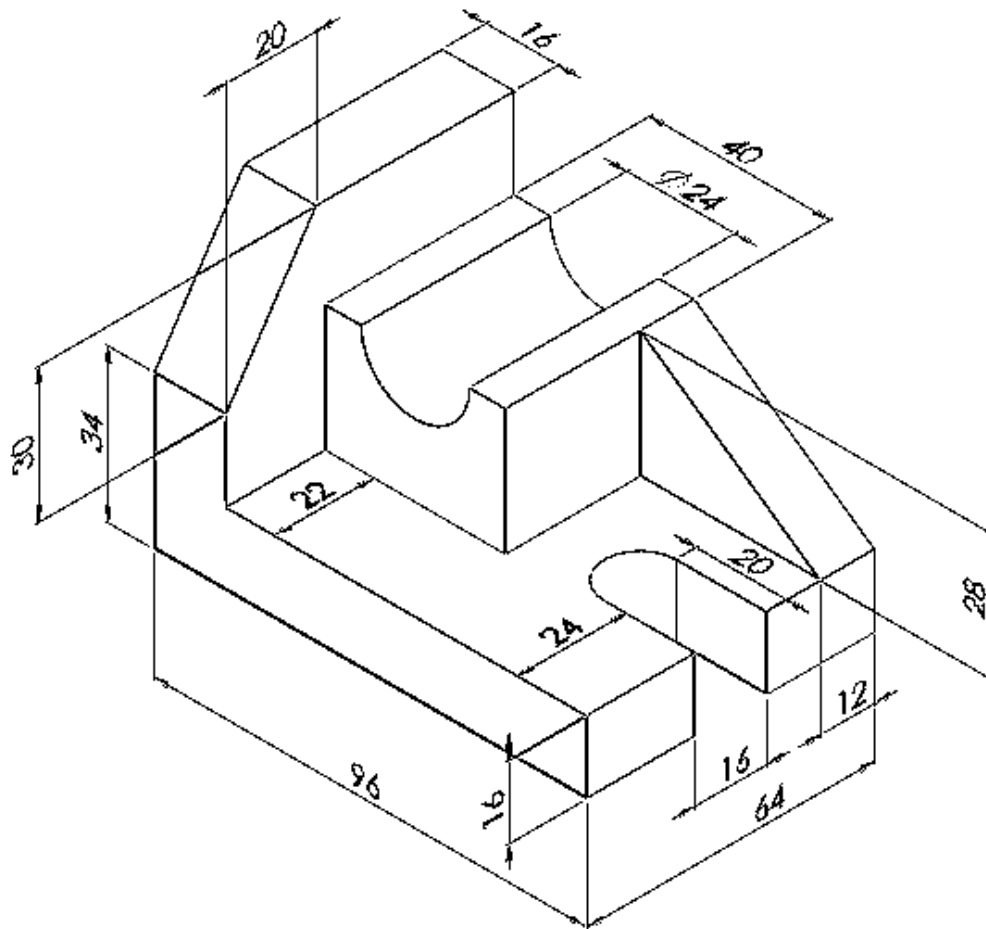


Fig Q 4

Question FIVE

Reproduce Fig Q3 in AUTOCAD

(20 marks)

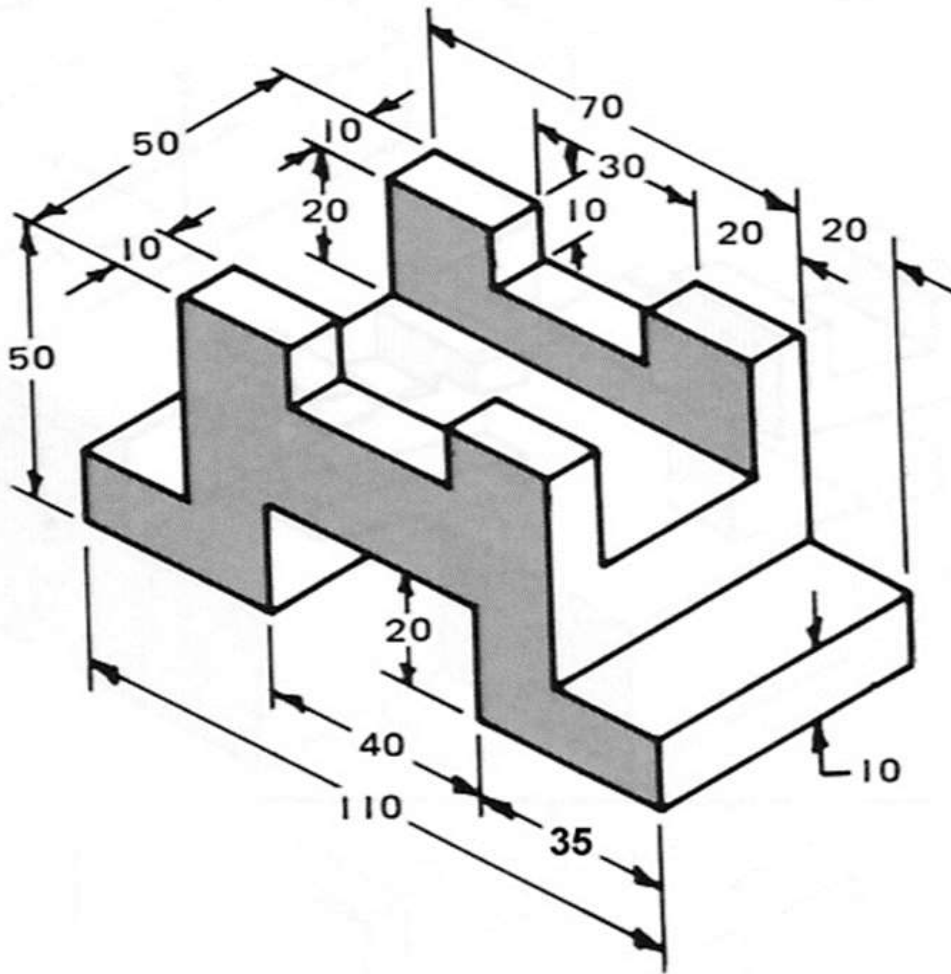


Fig Q 5