



# TECHNICAL UNIVERSITY OF MOMBASA

FACULTY OF APPLIED AND HEALTH SCIENCES

DEPARTMENT OF MATHEMATICS & PHYSICS

UNIVERSITY EXAMINATION FOR:

BACHELOR OF SCIENCE IN RENEWABLE ENERGY AND  
ENVIRONMENTAL PHYSICS

EME 2213 : COMPUTER AIDED DRAWING AND DESIGN (paper 1)

END OF SEMESTER EXAMINATION

**SERIES:** APRIL 2016

**TIME:** 2 HOURS

**DATE:** Pick Date Select Month Pick Year

## **Instructions to Candidates**

You should have the following for this examination

*-Answer Booklet, examination pass and student ID*

This paper consists of **FIVE** questions. Section A is compulsory, answer ONE question from SECTION B and ONE question from SECTION C Choose instruction

**Do not write on the question paper.**

---

## **SECTION A; THEORY**

### **Question ONE**

1. a) Explain any FIVE features of the AUTOCAD software. (10 marks)
- b) State any FOUR advantages of computer Aided drafting compared to manual drafting (4 marks)
- c) Explain the THREE ways of activating AUTOCAD commands. (6 marks)
- d) Explain the following AUTOCAD terminologies;
  - i. Plot
  - ii. Hatch
  - iii. Orbit
  - iv. Region
  - v. Block(10 marks)

**SECTION B; (2-DIMENSIONAL DRAWING)**

**Question TWO**

Reproduce Fig Q2 in AUTOCAD

(20 marks)

**Question THREE**

Reproduce Fig Q3 in AUTOCAD

(20 marks)

**SECTION C (3-DIMENSIONAL DRAWING)**

**Question FOUR**

Reproduce Fig Q3 in AUTOCAD

(20 marks)

**Question FIVE**

Reproduce Fig Q3 in AUTOCAD

(20 marks)

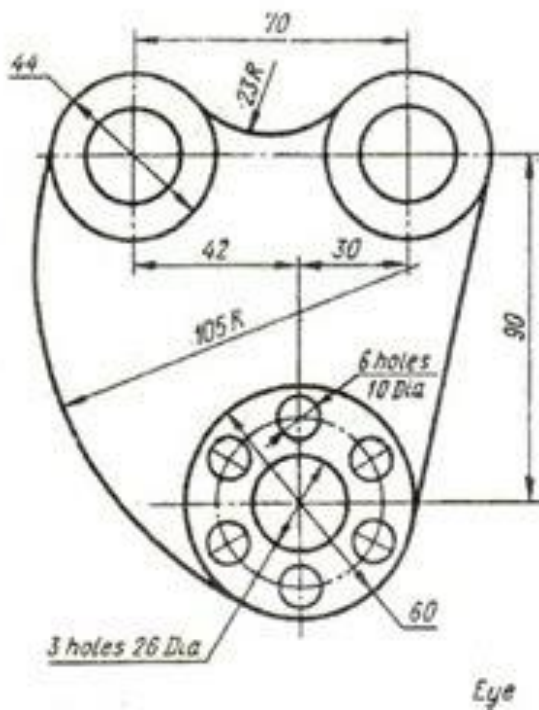


Fig Q2

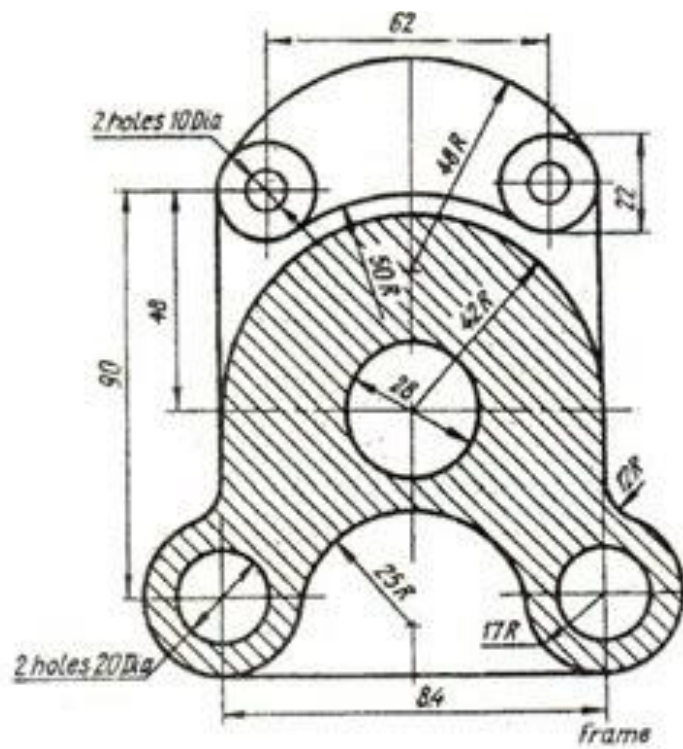


Fig Q3

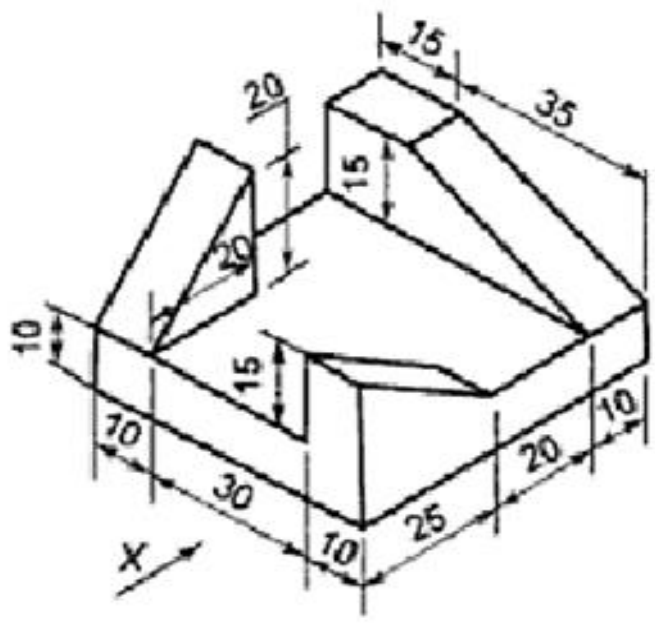


Fig Q 4

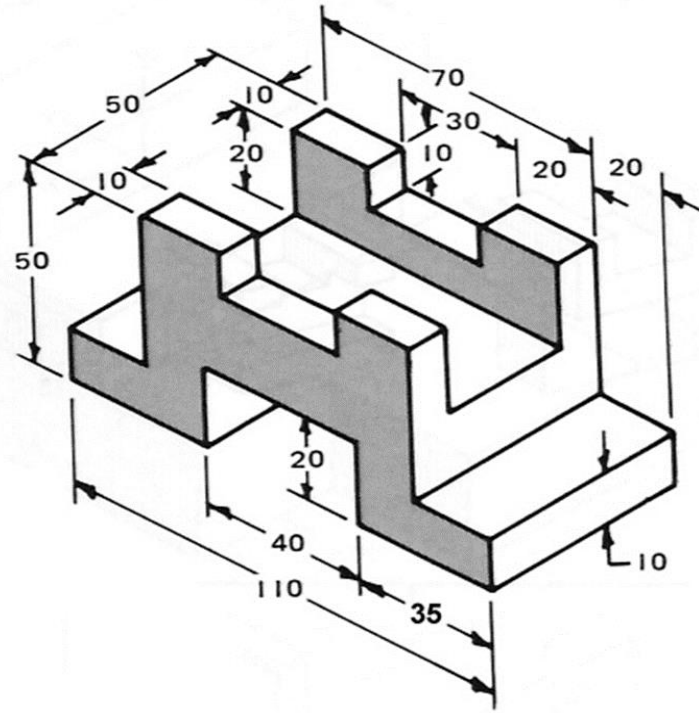


Fig Q 5