



TECHNICAL UNIVERSITY OF MOMBASA

FACULTY OF APPLIED AND HEALTH SCIENCES

DEPARTMENT OF MATHEMATICS & PHYSICS

UNIVERSITY EXAMINATION FOR:

BACHELOR OF SCIENCE IN RENEWABLE ENERGY AND

ENVIRONMENTAL PHYSICS

EME 2213 : COMPUTER AIDED DRAWING AND DESIGN (paper 2)

END OF SEMESTER EXAMINATION

SERIES: APRIL 2016

TIME: 2 HOURS

DATE: Pick Date Select Month Pick Year

Instructions to Candidates

You should have the following for this examination

-Answer Booklet, examination pass and student ID

This paper consists of **FIVE** questions. Section A is compulsory, answer ONE question from SECTION B and ONE question from SECTION C Choose instruction

Do not write on the question paper.

SECTION A; THEORY

Question ONE

1. a) Explain any SIX features of the AUTOCAD software. (12 marks)
- b) Describe the following terminologies;
 - i. Ortho mode
 - ii. Object snap
 - iii. Design center
 - iv. Tool pallets
 - v. Mirror

(10 marks)
- c) Explain the FOUR methods of obtaining and activating AUTOCAD commands. (8 Marks)

SECTION B; (2-DIMENSIONAL DRAWING)

Question TWO

Reproduce Fig Q2 in AUTOCAD

(20 marks)

Question THREE

Reproduce Fig Q3 in AUTOCAD

(20 marks)

SECTION C (3-DIMENSIONAL DRAWING)

Question FOUR

Reproduce Fig Q3 in AUTOCAD

(20 marks)

Question FIVE

Reproduce Fig Q3 in AUTOCAD

(20 marks)

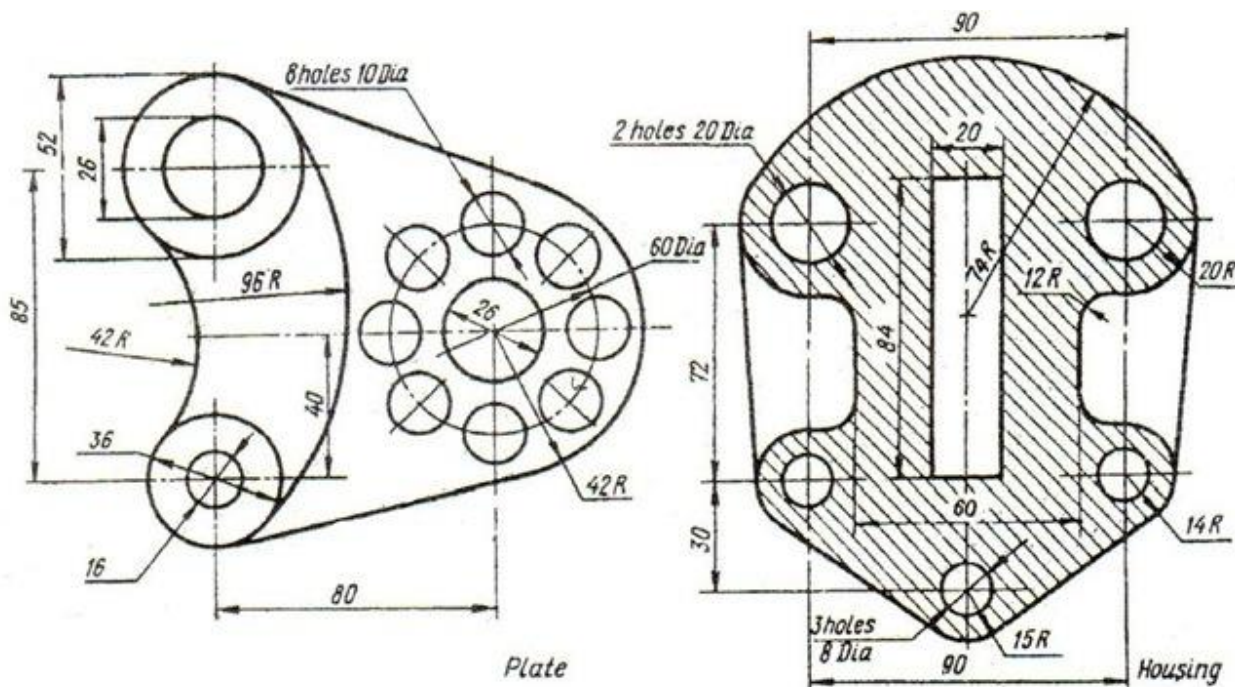


Fig Q 2

Fig Q 3

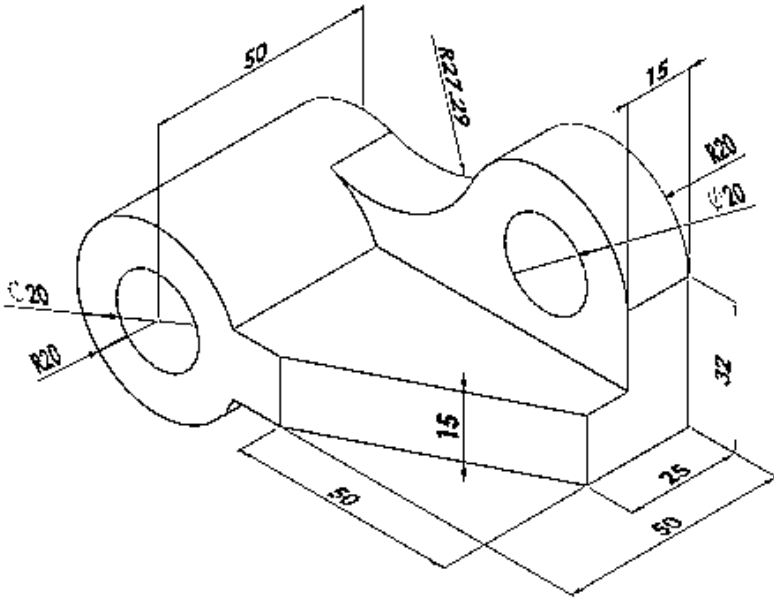


Fig Q4

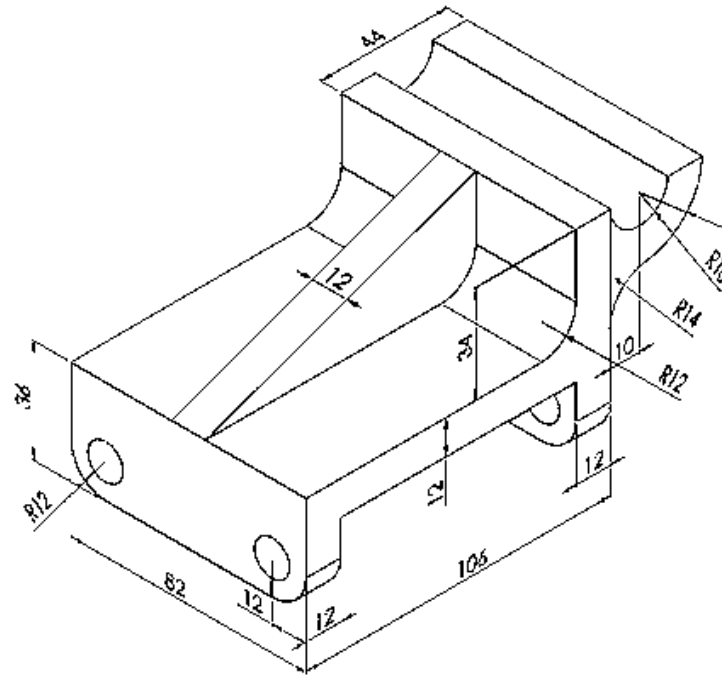


Fig Q5