



TECHNICAL UNIVERSITY OF MOMBASA

FACULTY OF ENGINEERING AND TECHNOLOGY

DEPARTMENT OF ELECTRICAL & ELECTRONICS ENGINEERING

UNIVERSITY EXAMINATION FOR:

DIPLOMA IN ELECTRICAL ENGINEERING

EME 2133 : COMPUTER AIDED DRAWING AND DESIGN (paper 1)

END OF SEMESTER EXAMINATION

SERIES: APRIL 2016

TIME: 2 HOURS

DATE: Pick Date Select Month Pick Year

Instructions to Candidates

You should have the following for this examination

-Answer Booklet, examination pass and student ID

This paper consists of **FIVE** questions. Section A is compulsory, answer **ONE** question from SECTION B and **ONE** question from SECTION C Choose instruction

Do not write on the question paper.

SECTION A; THEORY

Question ONE

1. a) State any **FOUR** advantages of computer Aided drafting compared to manual drafting (4 marks)
- b) Explain any **FIVE** features of the AUTOCAD software. (10 marks)
- c) Explain the **THREE** ways of activating AUTOCAD commands. (6 marks)

SECTION B; (2-DIMENSIONAL DRAWING)

Question TWO

Reproduce Fig Q2 in AUTOCAD

(20 marks)

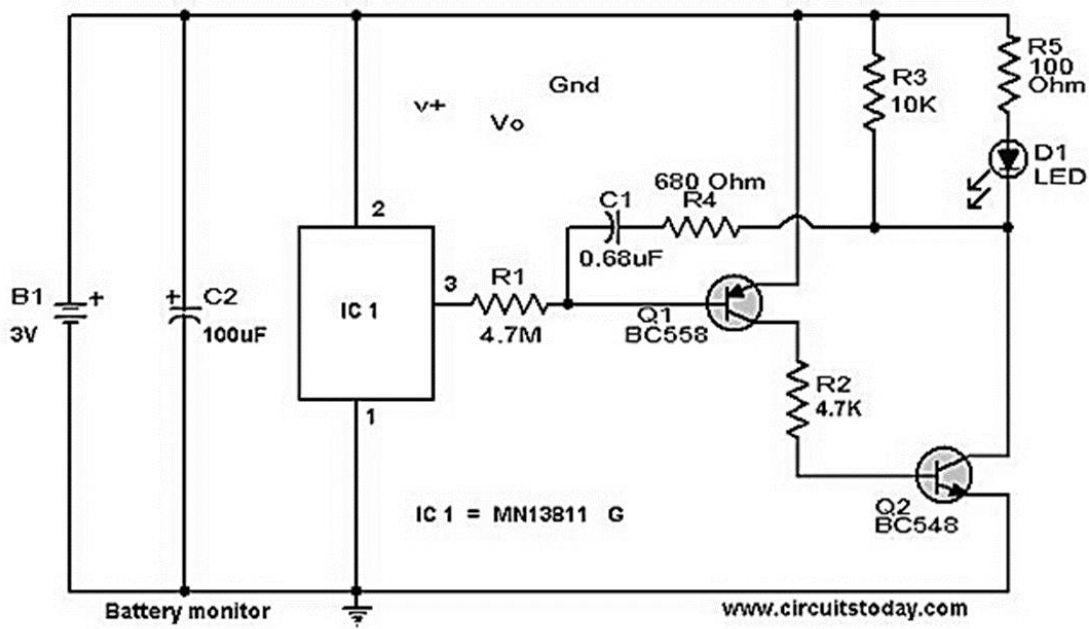


Fig Q 2

Question THREE

Reproduce Fig Q3 in AUTOCAD

(20 marks)

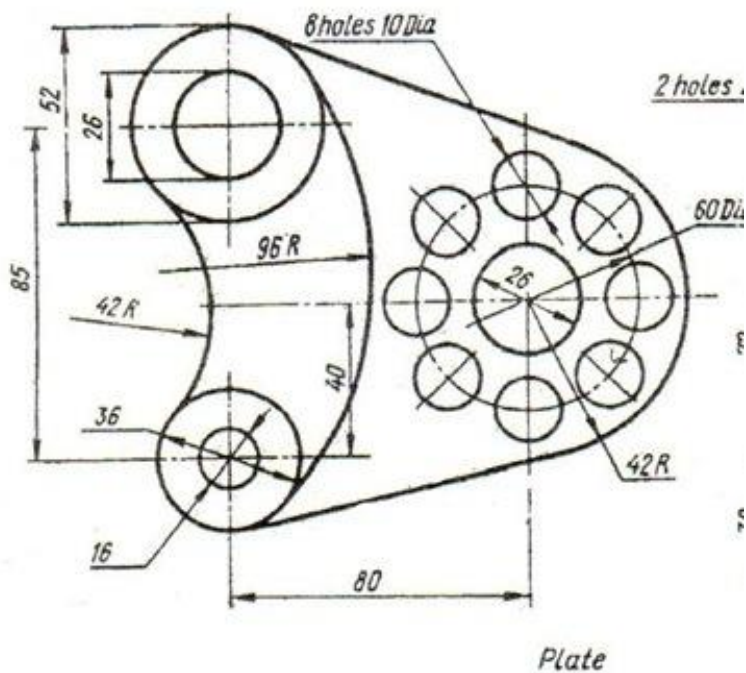


Fig Q 3

SECTION C (3-DIMENSIONAL DRAWING)

Question FOUR

Reproduce Fig Q3 in AUTOCAD

(20 marks)

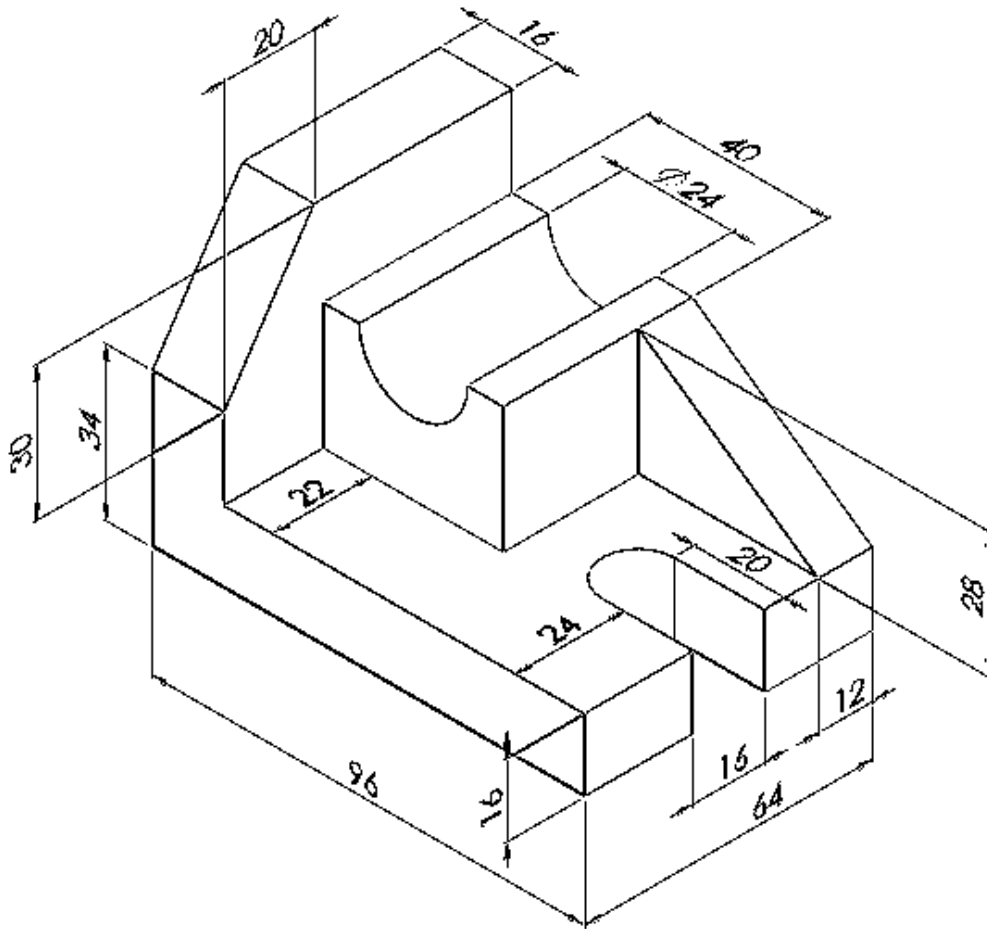


Fig Q 4

